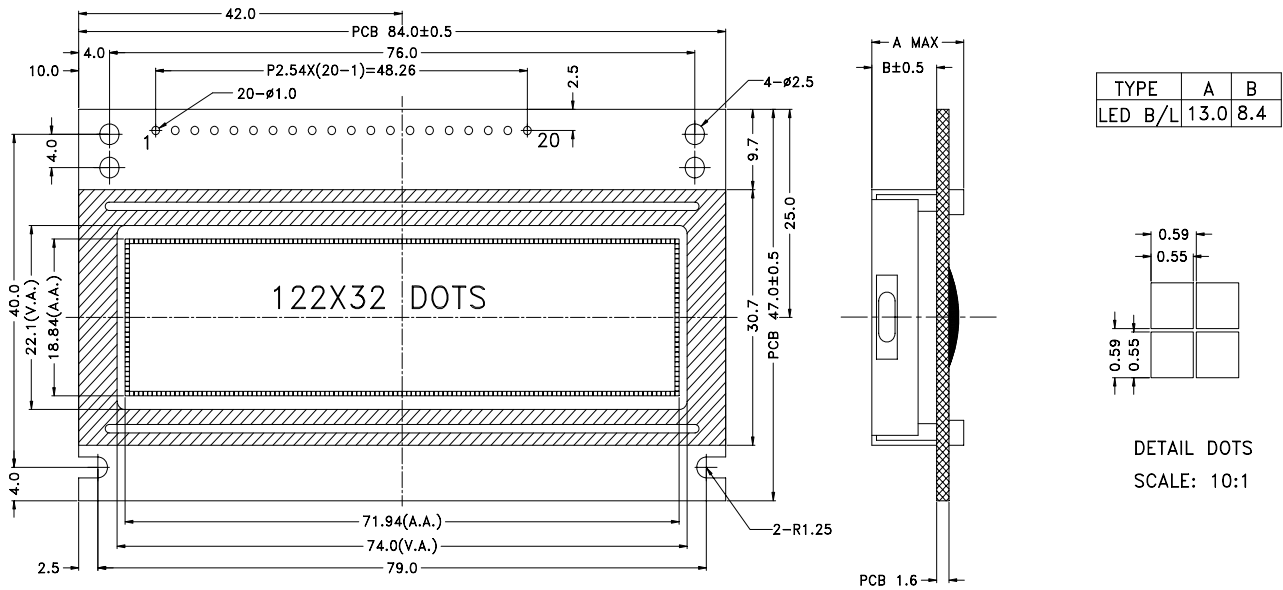


Outline Dimension



Graphic Type

Feature :

- 122x32 dot-matrix
- STN/TRANSFLECTIVE/POSITIVE/Y-G
- Yellow-Green/Bottom Backlight
- Operating Temp.: -20°C ~ +70°C
- 1/32 duty cycle, 1/6 Bias
- Built-in Controller (AT15200A or equivalent)
- Viewing angle: 6 o'clock

Electrical Characteristic :

(VSS=0V, Ta = 25°C)

Parameter	Symbol	Condition	M _{IN}	T _{YP}	M _{AX}	Unit
Supply voltage for logic	V _{DD}	--	4.8	5.0	5.2	V
Supply current for logic	I _{DD}	--	--	2.0	--	mA
Operating voltage for LCD	V _{LCD}	-20°C	--	--	--	V
		+25°C	--	4.7	--	V
		+70°C	--	--	--	V
Supply voltage for Backlight	V _{BL}	--	--	4.1	--	V
Supply current for Backlight	I _{BL}	--	--	180	--	mA

Absolute Maximum Rating :

Item	Symbol	Standard value			Unit
		M _{IN}	T _{YP}	M _{AX}	
Power supply for logic	V _{DD} -V _{SS}	-0.3	--	7.0	V
Input voltage	V _I	-0.3	--	V _{DD} +0.3	V

Interface Pin Connections :

Pin No.	Symbol	Level	Description
1	VSS	+5.0V	Power supply for logic operating.
2	VDD	0V	Ground.
3	V0	--	Adjusting LCD contrast.
4	A0	H/L	A0=0: D0 to D7 are display control data. A0=1: D0 to D7 are display data.
5-6	NC	--	No connection.
7	E1	H/L	An enable signal for writing or reading data.
8	E2	H/L	E1: Chip select signal for U1(SEG 0 - 61) E2: Chip select signal for U2(SEG 62 - 122)
9	W/R (WR)	H/L	R/W = "H": Read mode. R/W = "L": Write mode.
10-17	DB0-DB7	H/L	This is an 8-bit bi-directional data bus.
18	/RES	H/L	Reset signal
19	LED+	+4.1V	Power supply for backlight
20	LED-	0V	The backlight ground.

Adjusting Display Contrast :

