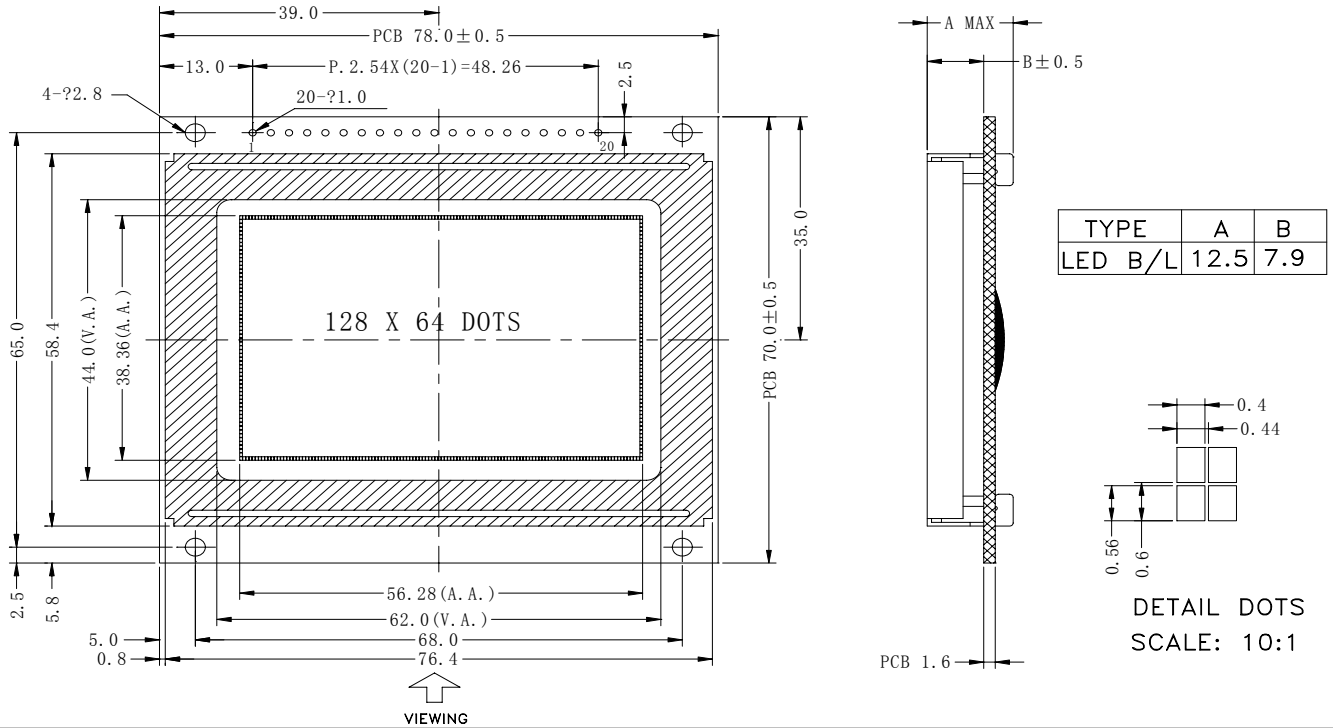


Outline Dimension



Graphic Type

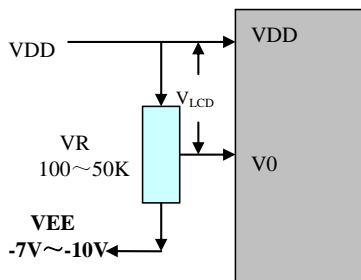
Feature :

- 128x64 dot-matrix
- STN/Transmissive /Negative/Blue
- Backlight: White/Side Backlight
- Operating Temp.: -20°C ~ +70°C
- 1/64 duty cycle, 1/9 Bias
- Built-in Controller (SBN0064G or equivalent)
- Viewing angle: 6 o'clock

Absolute Maximum Rating :

Item	Symbol	Standard value			Unit
		M _{IN}	T _{YP}	M _{AX}	
Power supply for logic	V _{DD} -V _{SS}	-0.3	--	7.0	V
Input voltage	V _I	-0.3	--	V _{DD} +0.3	V

Adjusting Display Contrast :



Note: Adjust V0 to VSS as an initial setting. When the module is operational, readjust V0 for optimal display appearance.

Electrical Characteristic : (VSS=0V, Ta=25°C)

Parameter	Symbol	Condition	M _{IN}	T _{YP}	M _{AX}	Unit
Supply voltage for logic	V _{DD}	--	4.8	3.3	5.2	V
Supply current for logic	I _{DD}	--	--	2.5	--	mA
Operating voltage for LCD	V _{LCD}	-20°C	--	--	--	V
		+25°C	--	9.5	--	V
		+70°C	--	--	--	V
Supply voltage for Backlight	V _{BL}	--	--	3.3	--	V
Supply current for Backlight	I _{BL}	--	--	60	--	mA

Interface Pin Connections :

Pin No.(CN1)	Symbol	Level	Description
1	/CS1	H/L	Chip Selection When /CS1=0, Left area is Selection
2	/CS2	H/L	Chip Selection When /CS2=0, Right area is Selection
3	VSS	0V	Ground.
4	VDD	+3.3V	Supply voltage for logic operating.
5	V0	--	Adjusting voltage for LCD driving (variable).
6	D/I	H/L	In parallel bus mode register select 1: Data Register, 0: Instruction Register, Busy flag-Address Counter.
7	R/W	H/L	In parallel bus mode Read write control 0: write 1: read
8	E	H/L	In parallel bus mode Enable trigger
9-16	DB0-DB7	H/L	8-bit bi-directional data bus.
17	RST	H/L	System reset low active
18	VEE	H/L	External negative power supply for LCD bias
19	LED+	+3.3V	Power supply for Backlight
20	LED-	--	Power supply for Backlight