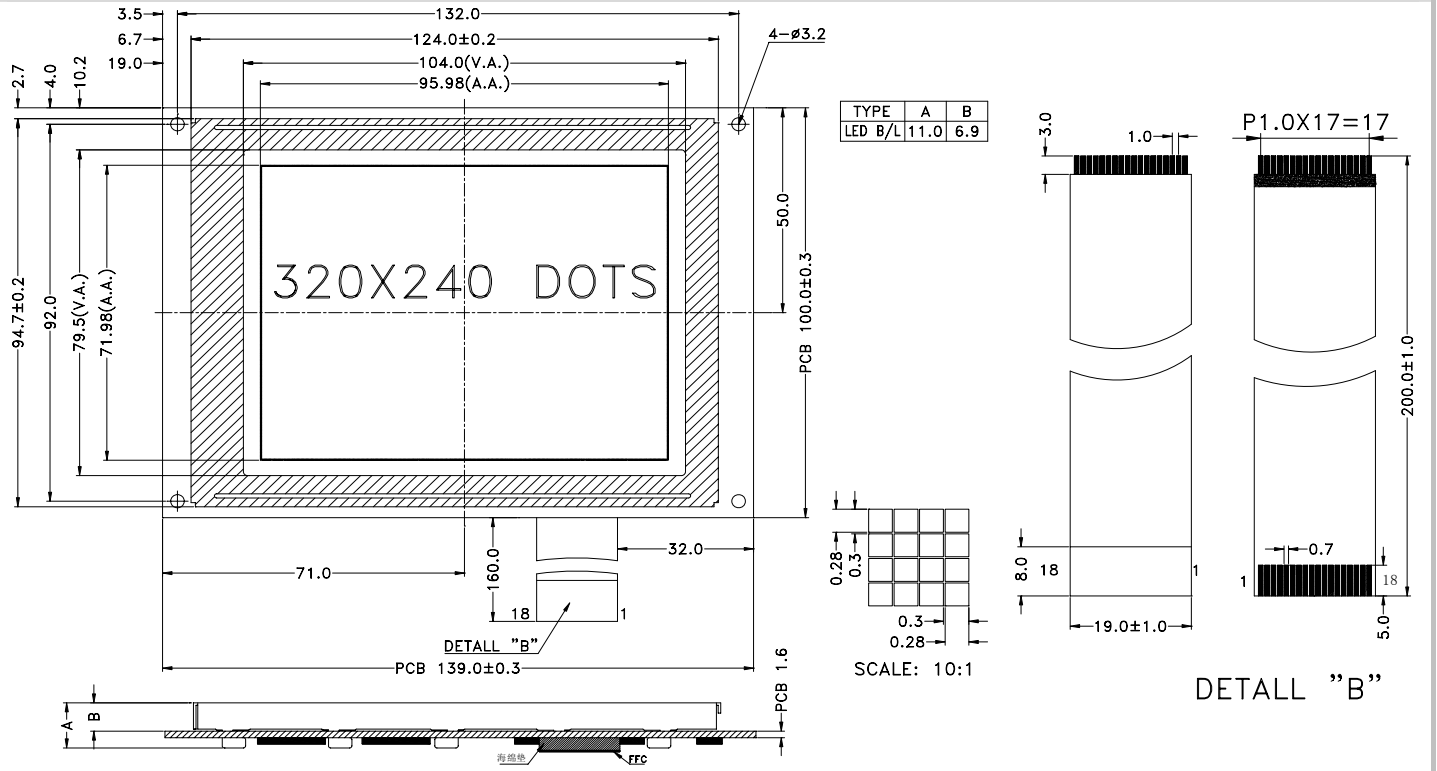


Outline Dimension



Graphic Type

Feature :

- 1、320x240 dot-matrix
- 2、FSTN/Transmissive/Negative/Blue
- 3、Backlight: White /side light
- 4、Operating Temp.: -10°C ~ +60°C
- 5、1/240 duty cycle, 1/16 Bias
- 6、Built-in Controller (RA8835 or equivalent)
- 7、Viewing angle: 12 o'clock

Absolute Maximum Rating :

| Item | Symbol | Standard value | | | Unit |
|------------------------|----------------------------------|-----------------|-----------------|----------------------|------|
| | | M _{IN} | T _{YP} | M _{AX} | |
| Power supply for logic | V _{DD} -V _{SS} | -0.3 | -- | 7.0 | V |
| Input voltage | V _I | -0.3 | -- | V _{DD} +0.3 | V |

Electrical Characteristic : (V_{SS}=0V, T_a=25°C)

| Parameter | Symbol | Condition | M _{IN} | T _{YP} | M _{AX} | Unit |
|------------------------------|------------------|-----------|-----------------|-----------------|-----------------|------|
| Supply voltage for logic | V _{DD} | -- | 4.8 | 5.0 | 5.2 | V |
| Supply current for logic | I _{DD} | -- | -- | 25 | -- | mA |
| Operating voltage for LCD | V _{LCD} | -20°C | -- | -- | -- | V |
| | | +25°C | -- | 24.0 | -- | V |
| | | +70°C | -- | -- | -- | V |
| Supply voltage for Backlight | V _{BL} | -- | -- | 5.0 | -- | V |
| Supply current for Backlight | I _{BL} | -- | -- | 135 | -- | mA |

Interface Pin Connections :

| Pin No. | Symbol | Level | Description | | | | | | | | | | | | | | | | | | | | |
|---------|---------|-------|--|----|----|----|----------|---|---|---|------------------|---|---|---|--------------------------------------|---|---|---|----------------------------------|---|---|---|---------------|
| 1 | VSS | 0V | The ground of power. | | | | | | | | | | | | | | | | | | | | |
| 2 | VDD | +5.0V | Supply voltage for logic operating. | | | | | | | | | | | | | | | | | | | | |
| 3 | VO | -- | Adjusting the LCM display contrast voltage input. | | | | | | | | | | | | | | | | | | | | |
| 4 | /WR | H/L | When the 8080 family interface is selected, this signal acts as the active-LOW write strobe. The bus data is latched on the rising edge of this signal. | | | | | | | | | | | | | | | | | | | | |
| 5 | /RD | H/L | When the 8080 family interface is selected, this signal acts as the active-LOW read strobe. The RA8835 series output buffers are enabled when this signal is active. | | | | | | | | | | | | | | | | | | | | |
| 6 | /CS | H/L | This active-LOW input enables the RA8835 series. It is usually connected to the output of an address decoder device that maps the RA8835 series into the memory space of the controlling microprocessor. | | | | | | | | | | | | | | | | | | | | |
| 7 | A0 | H/L | Command/Data Select.,8080 Family Interface: <table border="1" style="font-size: small;"> <thead> <tr> <th>A0</th> <th>RD</th> <th>WR</th> <th>Function</th> </tr> </thead> <tbody> <tr> <td>0</td> <td>0</td> <td>1</td> <td>Status flag read</td> </tr> <tr> <td>1</td> <td>0</td> <td>1</td> <td>Display data and cursor address read</td> </tr> <tr> <td>0</td> <td>1</td> <td>0</td> <td>Display data and parameter write</td> </tr> <tr> <td>1</td> <td>1</td> <td>0</td> <td>Command write</td> </tr> </tbody> </table> | A0 | RD | WR | Function | 0 | 0 | 1 | Status flag read | 1 | 0 | 1 | Display data and cursor address read | 0 | 1 | 0 | Display data and parameter write | 1 | 1 | 0 | Command write |
| A0 | RD | WR | Function | | | | | | | | | | | | | | | | | | | | |
| 0 | 0 | 1 | Status flag read | | | | | | | | | | | | | | | | | | | | |
| 1 | 0 | 1 | Display data and cursor address read | | | | | | | | | | | | | | | | | | | | |
| 0 | 1 | 0 | Display data and parameter write | | | | | | | | | | | | | | | | | | | | |
| 1 | 1 | 0 | Command write | | | | | | | | | | | | | | | | | | | | |
| 8 | /RES | H/L | This active-LOW input performs a hardware reset on the RA8835 series. It is a Schmitt-trigger input for enhanced noise immunity; however, care should be taken to ensure that it is not triggered if the supply voltage is lowered. | | | | | | | | | | | | | | | | | | | | |
| 9~16 | DB0~DB7 | H/L | 8-bit bi-directional data bus. | | | | | | | | | | | | | | | | | | | | |
| 17 | LED+ | +5.0V | Power supply for Backlight | | | | | | | | | | | | | | | | | | | | |
| 18 | LED- | 0V | The backlight ground. | | | | | | | | | | | | | | | | | | | | |

Adjusting Display Contrast :

