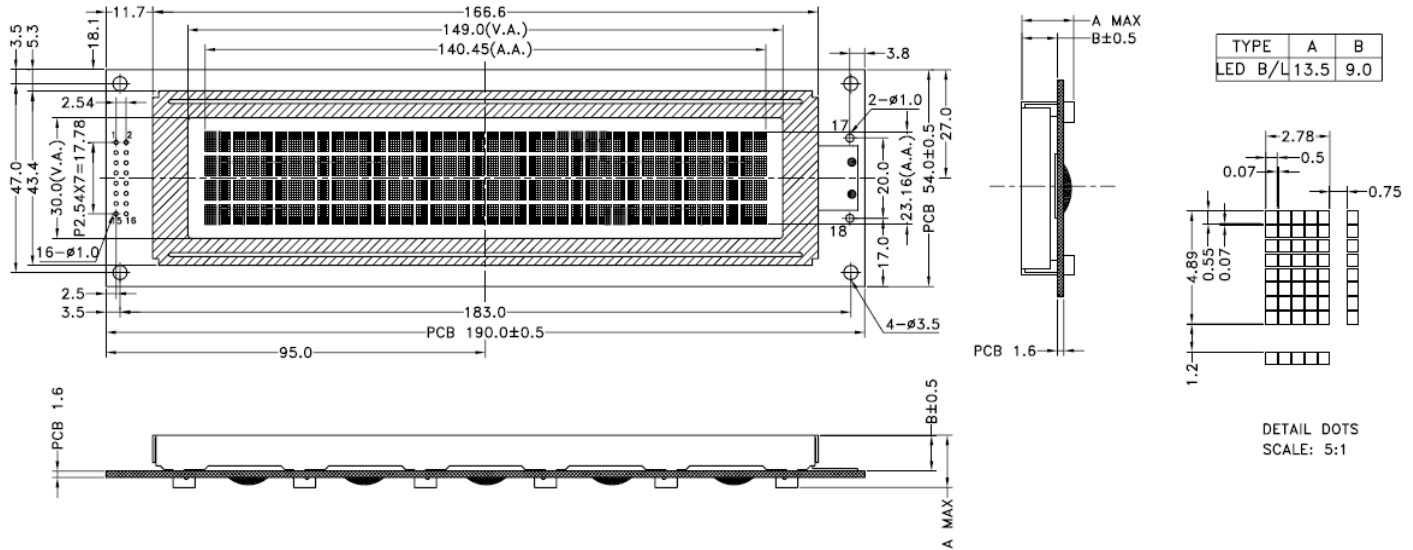


Outline Dimension



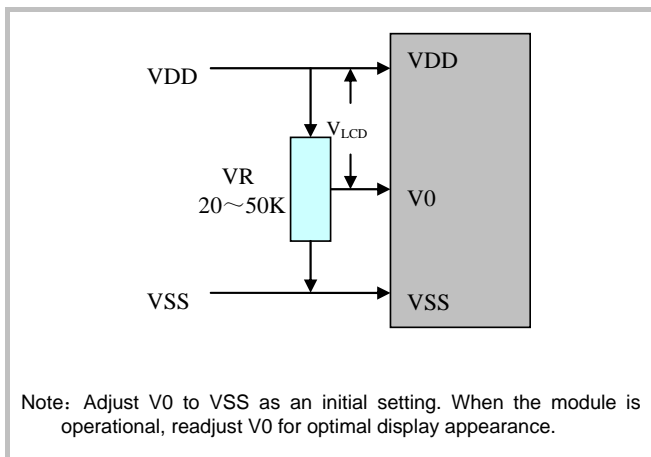
Feature :

- 1、40x4 Characters
- 2、STN/TRANSFLECTIVE/POSITIVE/Y-G
- 3、Yellow-green/Bottom-Backlight (LED)
- 4、Operating Temp.:0°C ~ +50°C
- 5、1/16 duty cycle, 1/5 Bias
- 6、Built-in Controller (SPLC780D1 or equivalent)
- 7、Viewing angle: 6 o'clock

Absolute Maximum Rating :

Item	Symbol	Standard value			Unit
		M _{IN}	T _{YP}	M _{AX}	
Power supply for logic	V _{DD} -V _{SS}	-0.3	--	7.0	V
Input voltage	V _I	-0.3	--	V _{DD} +0.3	V

Adjusting Display Contrast :



Electrical Characteristic :

Character Type

(V_{SS}=0V, T_a = 25°C)

Parameter	Symbol	Condition	M _{IN}	T _{YP}	M _{AX}	Unit
Supply voltage for logic	V _{DD}	--	4.8	5.0	5.2	V
Supply current for logic	I _{DD}	--	--	2	--	mA
Operating voltage for LCD	V _{LCD}	0°C	--	--	--	V
		+25°C	--	4.4	--	V
		+50°C	--	--	--	V
Supply voltage for Backlight	V _{BL}	--	--	5.0	--	V
Supply current for Backlight	I _{BL}	--	--	500	--	mA

Interface Pin Connections :

Pin No.	Symbol	Level	Description
1-8	DB7-DB0	H/L	8-bit bi-directional data bus.
9	E1	H/L	When E1="0", the back half of the screen is active
10	R/W	H/L	R/W = "H": Read mode. R/W = "L": Write mode.
11	RS	H/L	A signal for selecting registers: 1: Data Register (for read and write) 0: Instruction Register (for write), Busy flag-Address Counter (for read). Supply voltage for logic operating
12	V0	--	Adjusting voltage for LCD driving (variable).
13	VSS	0V	Ground
14	VCC	+5.0V	Power supply for logic operation.
15	E2	H/L	When E2="0", the front half of the screen is active
16	NC	--	Non-connection.
17	LED+	+5.0V	Power supply for Backlight.
18	LED-	0V	The backlight ground.